



2014 *Private Use* Application Guide • Issue 1 • 5-8-14



Chair Topper™

Chair Topper™ Features

For those who are capable of transferring from a wheelchair to drive or ride, the BraunAbility Chair Topper is the answer for convenient and independent mobility. It automatically folds and stores a conventional folding wheelchair inside an attractive, watertight plastic cover that mounts to the top of most vehicles.

A single toggle switch located in a user-friendly hand-held control box operates the lifting, folding and storing of the wheelchair. It takes only 30 seconds to complete the operation. Power is provided by the vehicle's battery and a reversible automotive-type motor.

The Chair Topper's framework is powder coated with a durable weatherproof finish. The plastic shell can be painted to match the vehicle's exterior for an attractive finishing touch.

BraunAbility manufactures the only car-top carrier available for driver- or passenger-side use. The smooth and precise operation ensures that the wheelchair is carefully handled and stored without damage or undo wear-and-tear.

The Chair Topper is equipped with a manual release located inside an easily-accessible locked door should the chair need to be removed manually in the event of vehicle electrical failure.

The Chair Topper is shipped with a permanent mounting system. Contact your area sales manager to ensure it will fit on your vehicle. Also, please refer to the specification information in this guide before purchasing a Chair Topper. Special considerations may be required for vehicles with luggage racks, sun roofs, hatchbacks, etc.

- Car-top carrier of modular aluminum frame construction with a fully enclosed (top and bottom) plastic shell, adds approximately 21-1/2" total height to the vehicle, maintaining "garageability"
- Stores and folds automatically any conventionally folding wheelchair inside a water tight plastic cover that mounts to the top of most vehicles
- Power is provided by the vehicle's battery and a reversible automotive-type motor
- Single rocker switch located in a user-friendly hand-held control box operates the lifting, folding and storing of the wheelchair, easily operated by those with limited dexterity
- Complete operation takes only 30 seconds
- Available in driver and passenger side models, universal mounting system fits most vehicles
- Accommodates a range of wheelchairs folded widths
- Lifting capacity is 45 lbs
- Integrated manual backup system, release located inside an easily-accessible locked door
- Framework is powder coated with a durable weatherproof finish
- The plastic shell can be painted to match the vehicle's exterior
- V.A. Accepted

Chair Topper™ Models



For Driver Side Installations

L710X (Chair Topper with Permanent Mounting System)

For Passenger Side Installations

L710XR (Chair Topper without Permanent Mounting System)

Please note: this installation is shown as an example only. Mounting system shown is no longer available. Before purchasing a Chair Topper, please consult with your local BraunAbility Dealer to ensure it will fit on your vehicle.

- The Chair Topper features an adjustment system that will accommodate a range of wheelchair "folded widths".
- Some wheelchair models are not compatible with the Chair Topper, and will not fit. Make certain that your chair will fit before purchasing the Chair Topper.
- Please note that wheelchair dimensions will vary among different manufacturers.
- The Chair Topper is shipped with a permanent mounting system.

16021A Chain Extension Kit - For Roof Lines higher than 58" and up to 94"

29586A Mounting Kit for L710X-E & L710XR-E

This mounting kit is used in conjunction with the permanent mounting system to move mounting feet further from the center of the roof.



Chair Topper™ Technical Specifications

Control: single rocker switch in hand-held control box

Construction: aluminum frame with ABS plastic base and shell

Unit Weight: 123 lbs

Lifting Capacity: 45 lbs

Motors: 12V DC reversible automotive type

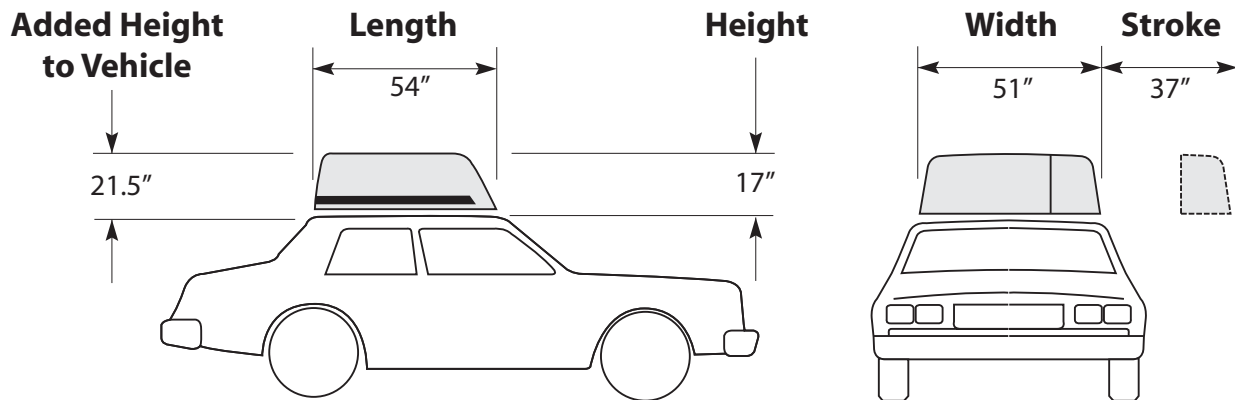
Power Supply: 12V DC

Current Consumption: Max. 30A (12V)

Cycle Time: 30 seconds (approximately)

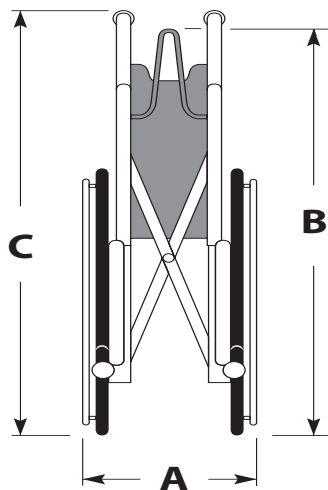


Chair Topper™ Dimensions



All dimensions are for reference only.

Chair Dimensions



DIMENSION "A" MAXIMUM "FOLDED" WIDTH	DIMENSION "B" MAXIMUM "APEX" HEIGHT	DIMENSION "C" MAXIMUM "HANDLE" HEIGHT
14"	34 1/2"	40"

MAXIMUM WHEELCHAIR WEIGHT: 45 lbs
 MAXIMUM WHEELCHAIR DEPTH (back of rear wheels to tip of footrests): 44.5"

All dimensions are for reference only.

Chair Topper™ Application Checklist

Use this check list to determine if the Chair Topper will work with your client's vehicle. With so many different makes and models of vehicles, it is nearly impossible for BraunAbility to put together a formula that will apply to all situations. However, if you keep within the parameters of this check list, you should be able to cover the majority of applications.

Distance from ground to top of vehicle roof.

- The Chair Topper will add 21-1/2" in height to the vehicle
- Check with your client for potential vehicle height problems where they usually park or drive. (example: home garages, parking garages)

Width of top of vehicle.

- Chair Topper is 51" wide.
- If the vehicle's top is 49" or less, contact your area sales manager to ensure the Chair Topper will work in this application.
- If the vehicle's top is 53" or wider, also contact your area sales manager to ensure the Chair Topper will work in this application.

Length from the top of the windshield to the top of the rear window.

- Chair Topper is 54" long.
- If the vehicle's top is less than 54" long, contact your area sales manager to ensure the Chair Topper will work in this application.

Check the vehicle for modifications.

- Sun roof, T-Top, Hatchback or any other addition or modification to the roof could create problems when mounting the Chair Topper.

If you have any additional questions, contact your area sales manager!

Chair Topper™ Specifications

BRAUNABILITY CHAIR TOPPER SPECIFICATIONS **“Provided to make your spec writing easier.”**

The Chair Topper shall be of modular aluminum frame construction, with a fully-enclosed (top and bottom) plastic shell. The unit shall add no more than approximately 21-1/2" in height to the vehicle, and shall operate in a horizontal plane requiring only 2-1/2" additional clearance above the unit for operation. The Chair Topper shall automatically fold and store a conventional folding wheelchair and have a maximum lifting capacity of 45 pounds.

The mounting system shall be a permanent style mounting system, allowing the unit to be mounted to a wide variety of vehicles.

The Chair Topper shall feature an integrated manual backup system, so that the wheelchair may be removed from the carrier in the event of vehicle electrical failure. One toggle switch shall control both the raising and lowering functions. The control shall be decal'd with the appropriate function legend.

The Chair Topper shall be available in two models: a driver-side unit for those who will use the unit independently, and a passenger-side unit for those who will have an attendant.

BraunAbility Chair Topper to include the following model numbers:

L710X (driver side)

L710XR (passenger side)



www.braunability.com

ISO 9001:2008

631 West 11th Street, Winamac, IN 46996, USA Phone: 574 946 6153 Fax: 574 946 4670

All illustrations, descriptions and specifications in this guide are based on the latest product information available at the time of publication. BraunAbility reserves the right to make changes at any time without notice.

© 2014 The Braun Corporation